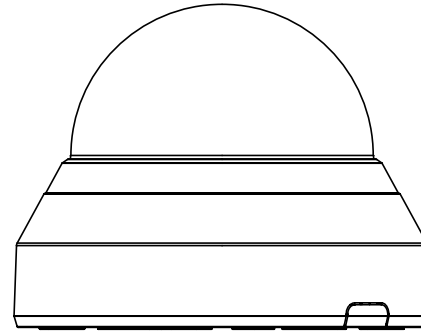
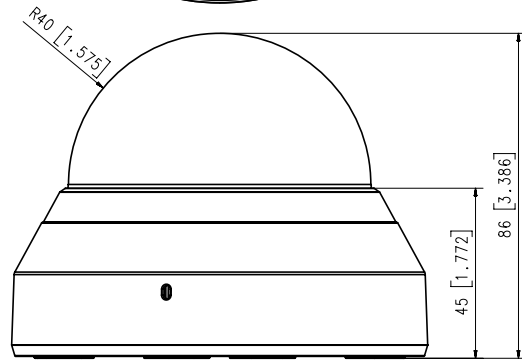
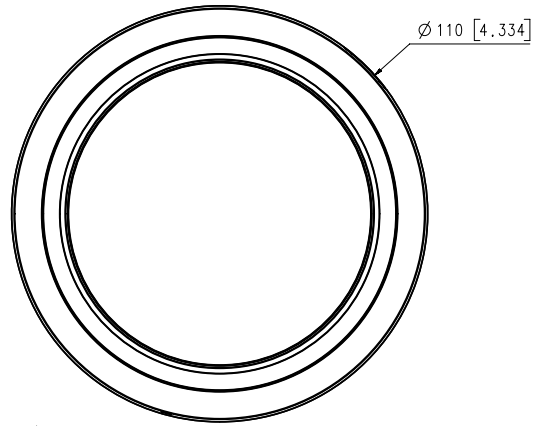
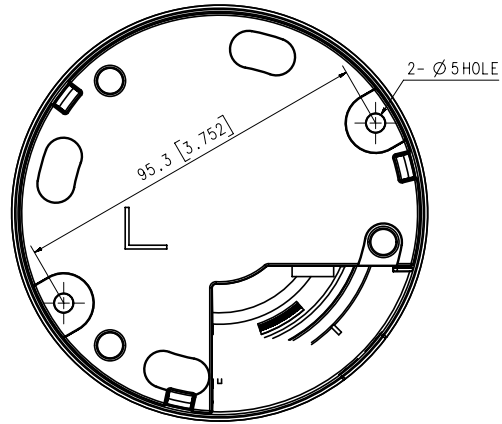



NO	PART NAME	CODE NO.	MATERIAL	Q'TY	REMARK
1	FINAL_ASSY_SND_L6013R	015749	MATERIAL	1	REMARK



Unit:mm(inch)



CHANGE

UNIT	mm	DESIGN	CHECK	APPROVAL	PART NAME	FINAL_ASSY_SND_L6013R
SCALE	1/1	박문희			MODEL NAME	SND-L6013R/L6013 L5013
		14.10.30			CODE NO.	-
 SAMSUNG TECHWIN						