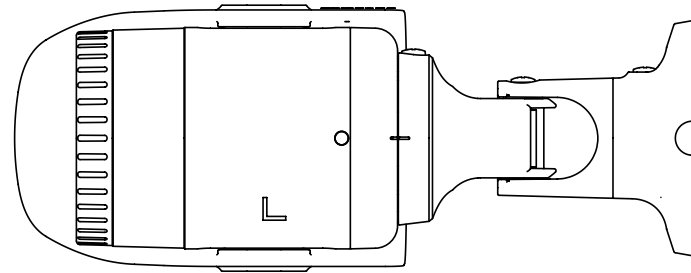
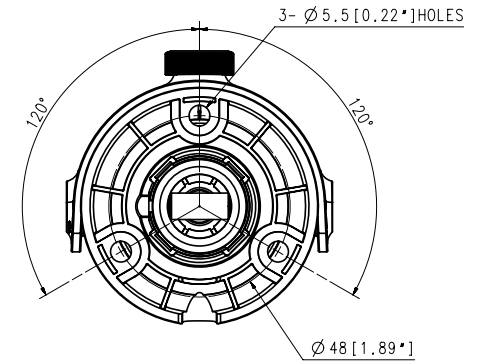
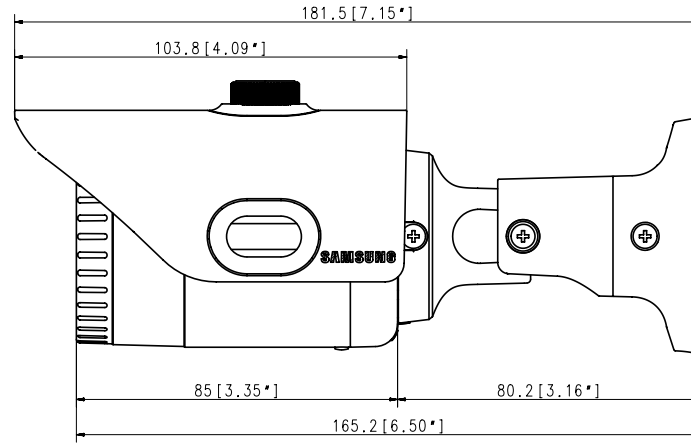
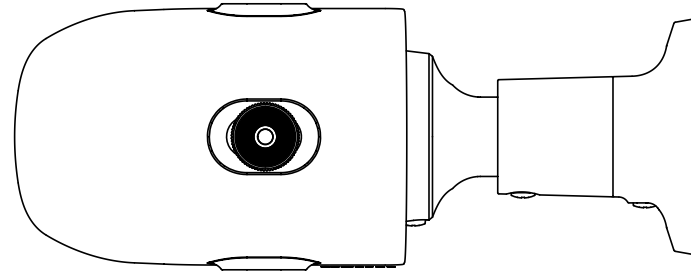
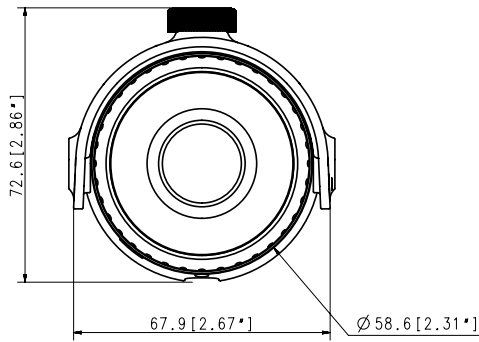


NO	PART NAME	CODE NO.	MATERIAL	Q'TY	REMARK
1	APPEARANCE SNO-L6013R	-	MATERIAL	1	REMARK



STANDARD TOLERANCE

DIV	h1.1	h1.2	h1.3	h1.4	h1.5
0-16	±0.05	±0.1	±0.1	±0.2	±0.3
16-63	±0.05	±0.1	±0.2	±0.3	±0.4
63-250	±0.1	±0.2	±0.3	±0.4	±0.4
250-1000	±0.2	±0.3	±0.4	±0.5	±0.4

UNIT	mm	DESIGN	CHECK	APPROVAL	PART NAME	APPEARANCE SNO-L6013R
SCALE	1/1	정운도	-	-	MODEL NAME	SNO-L6013R
		14.12.18	-	-	CODE NO.	-
SAMSUNG TECHWIN						

CHANGE