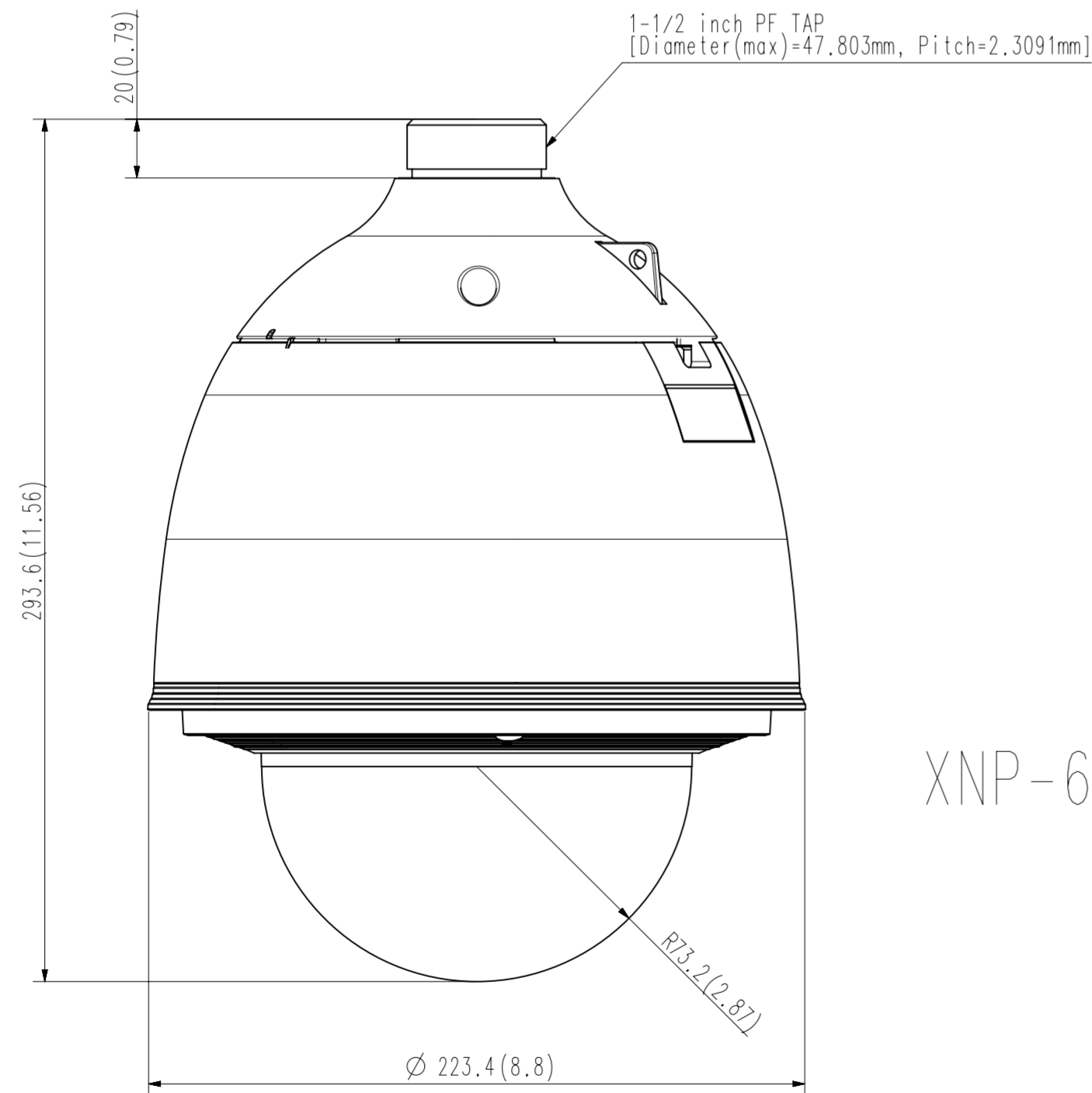
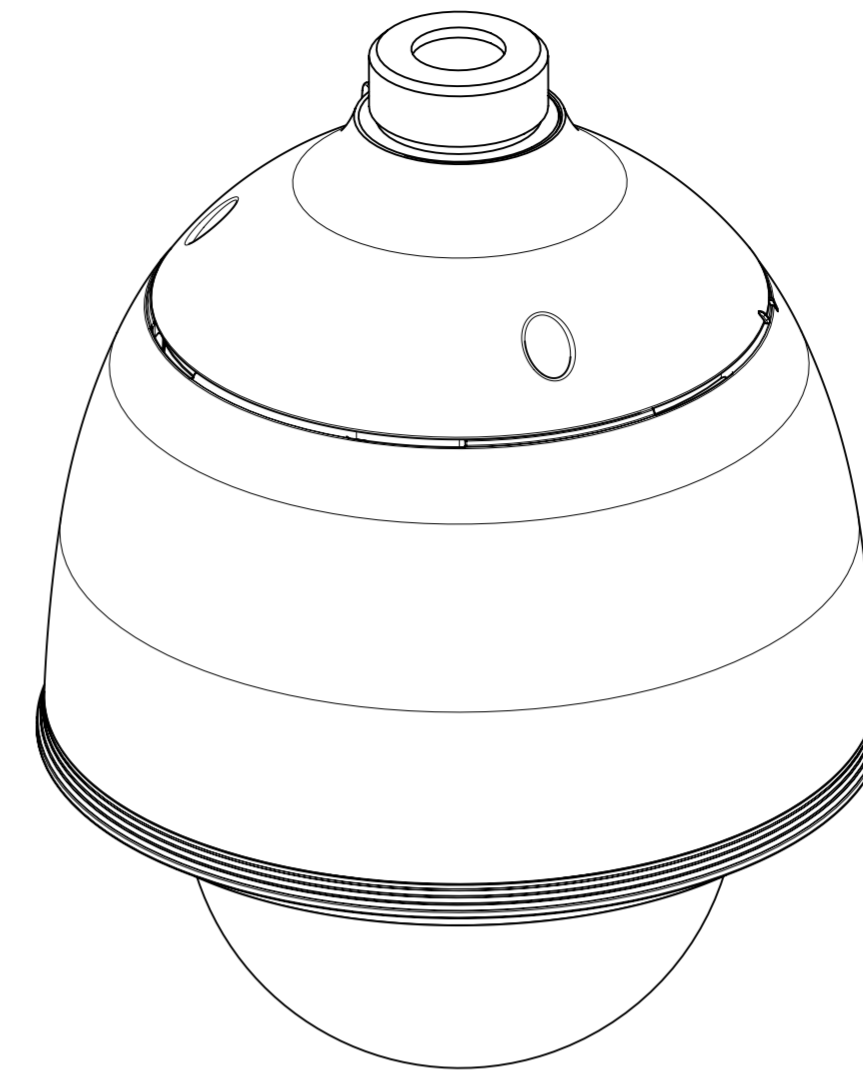
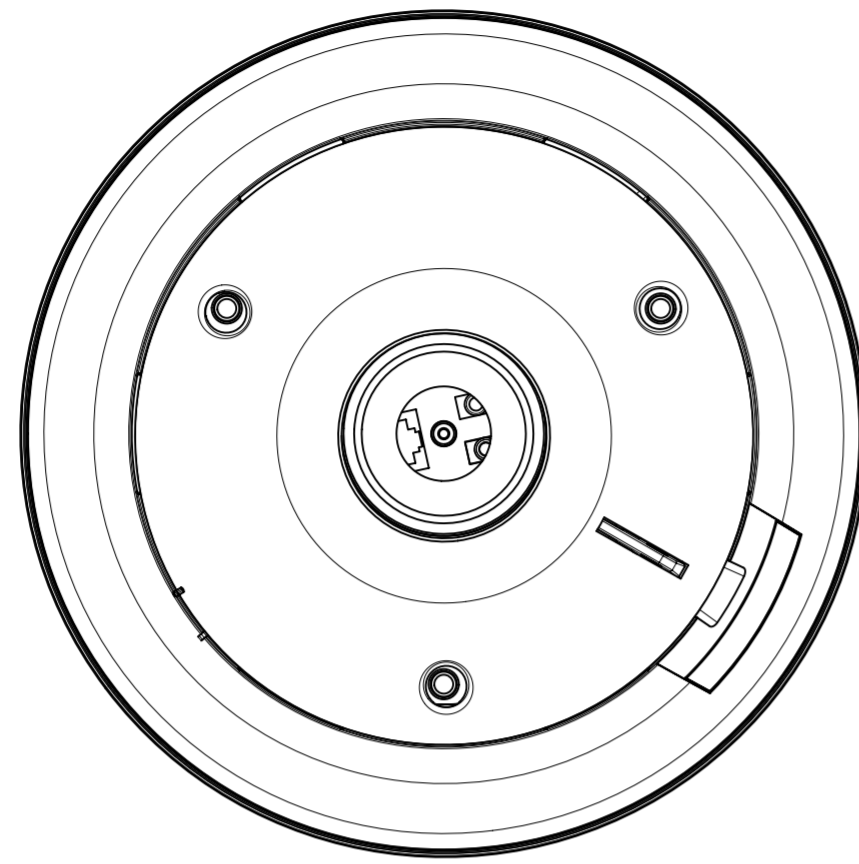
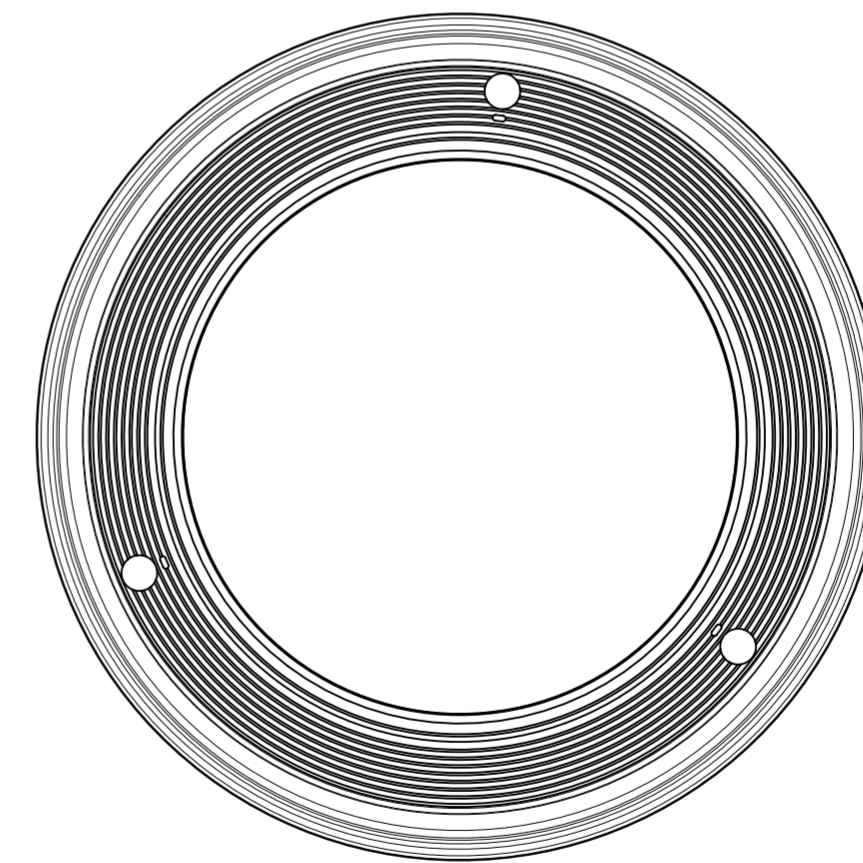


NO	PART NAME	CODE NO.	MATERIAL	Q'TY	REMARK
1	XNP-6320H	011657	MATERIAL	1	REMARK



XNP-6320H / QNP-6230H
Unit : mm(inch)



A2
CHANGE

UNIT	mm	DESIGN	CHECK	APPROVAL	PART NAME	XNP-6320H
		Design	Check	Approval		
SCALE	1/1	15.08.01	15.08.01	15.08.01	MODEL NAME	MODEL NAME
		Hanwha Techwin			CODE NO.	011657