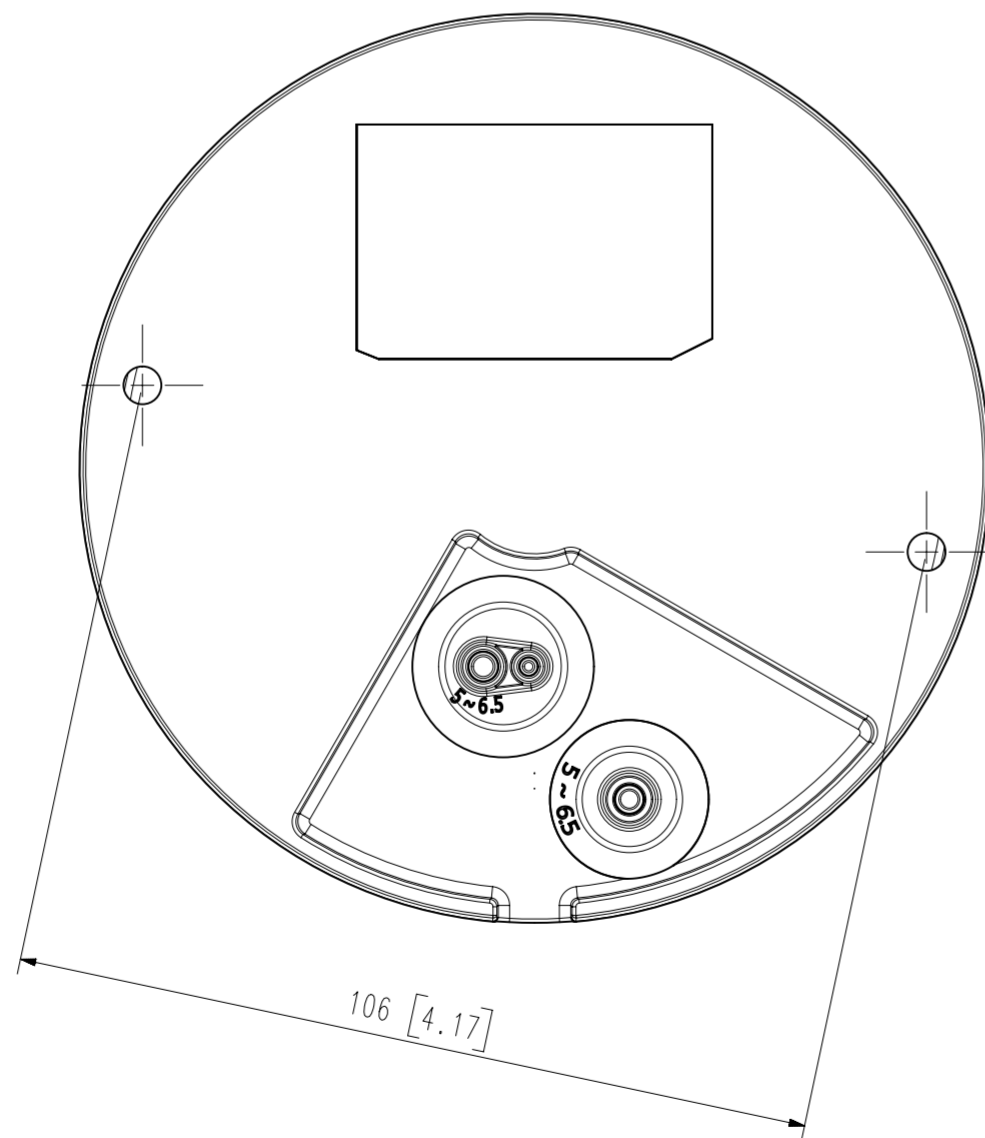
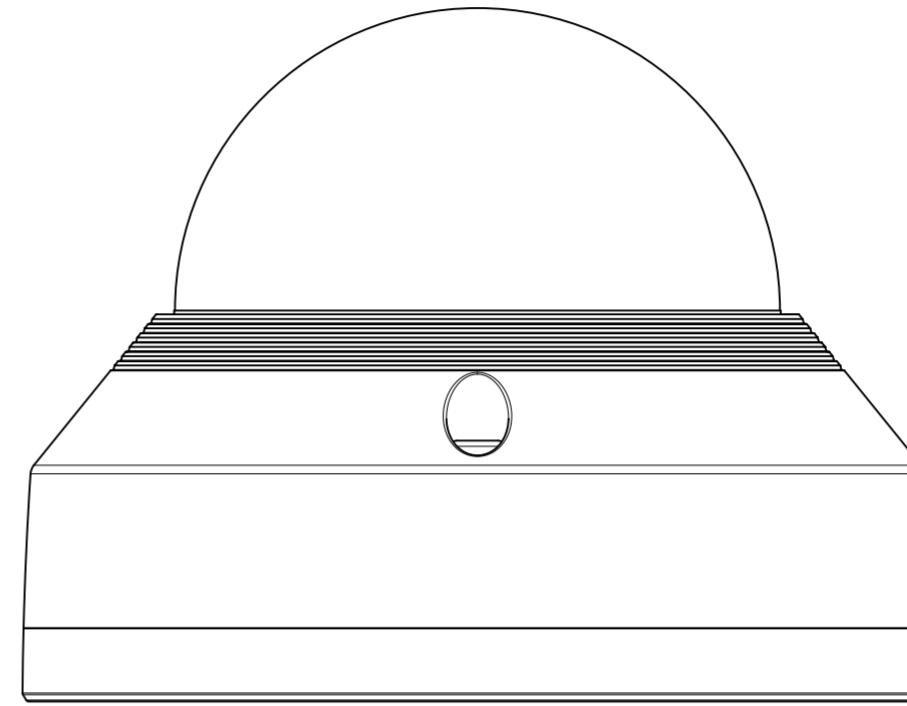
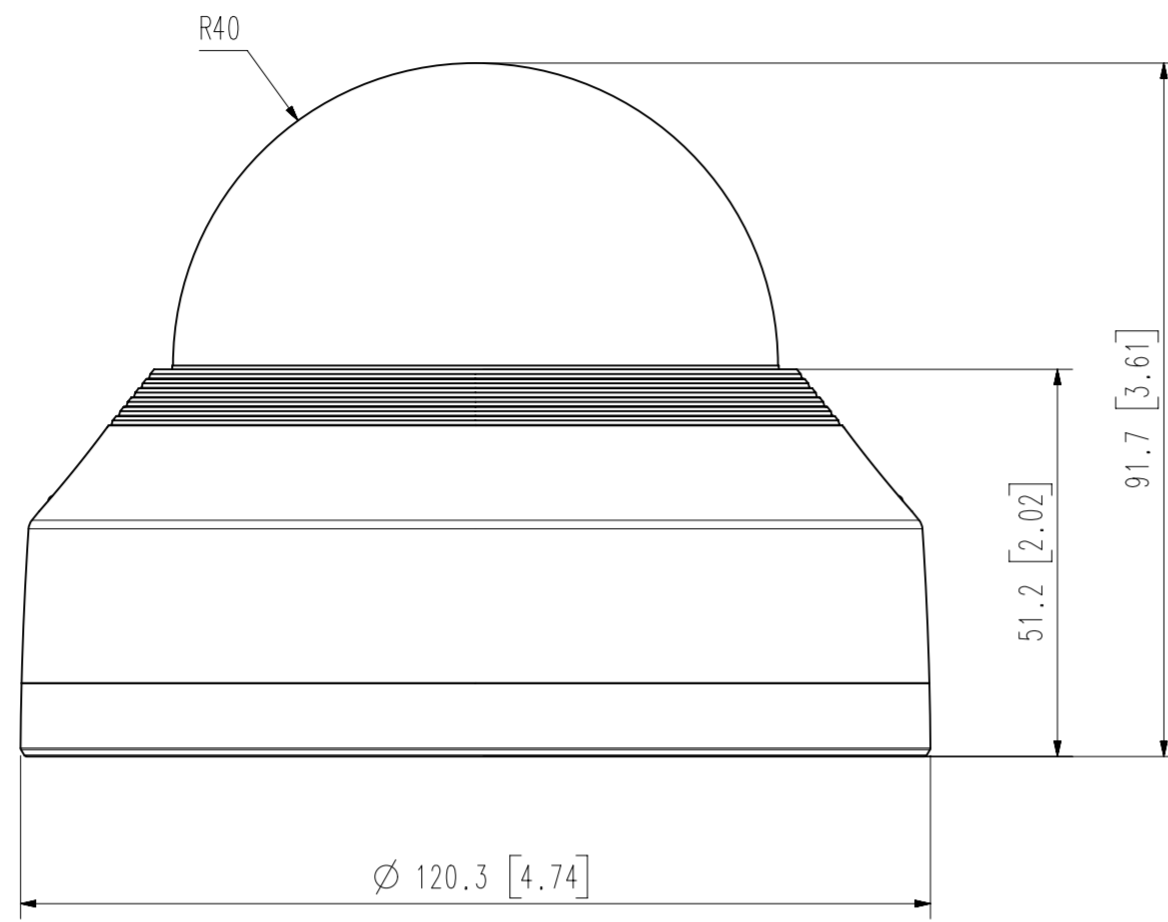


NO	PART NAME	CODE NO.	MATERIAL	Q'TY	REMARK
1	FINAL_ASSY_SNVL8015R	036400	MATERIAL	1	REMARK



UNIT	mm	DESIGN	CHECK	APPROVAL	PART NAME	FINAL_ASSY_SNVL8015R
SCALE	1/1	Design	Check	Approval	MODEL NAME	MODEL NAME
		15.08.01	15.08.01	15.08.01		
Hanwha Techwin					CODE NO.	036400

A2 CHANGE