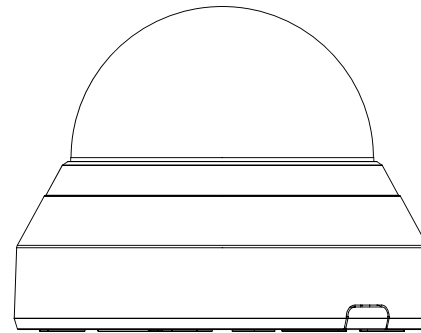
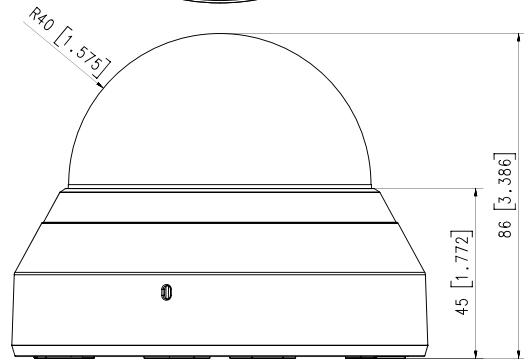
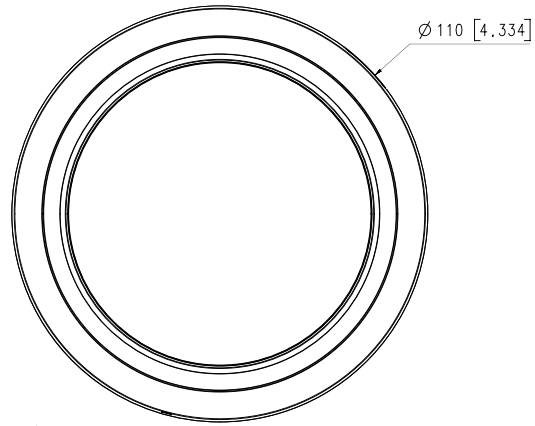
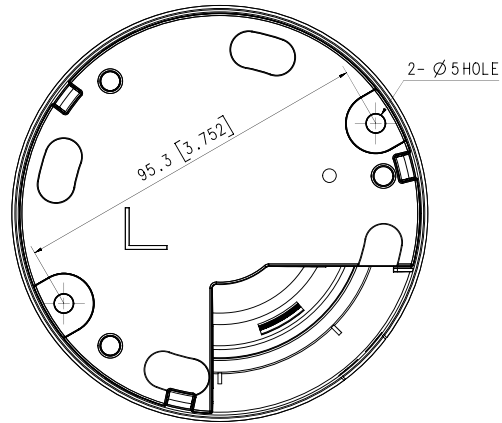



NO	PART NAME	CODE NO.	MATERIAL	Q'TY	REMARK
1	FINAL ASSY QND SERIES	015756	MATERIAL	1	REMARK



Unit:mm(inch)



CHANGE

UNIT	mm	DESIGN	CHECK	APPROVAL	PART NAME	FINAL ASSY QND SERIES
SCALE	1/1	박문희			MODEL NAME	QND SERIES
		14.10.30				
 SAMSUNG TECHWIN					CODE NO.	-