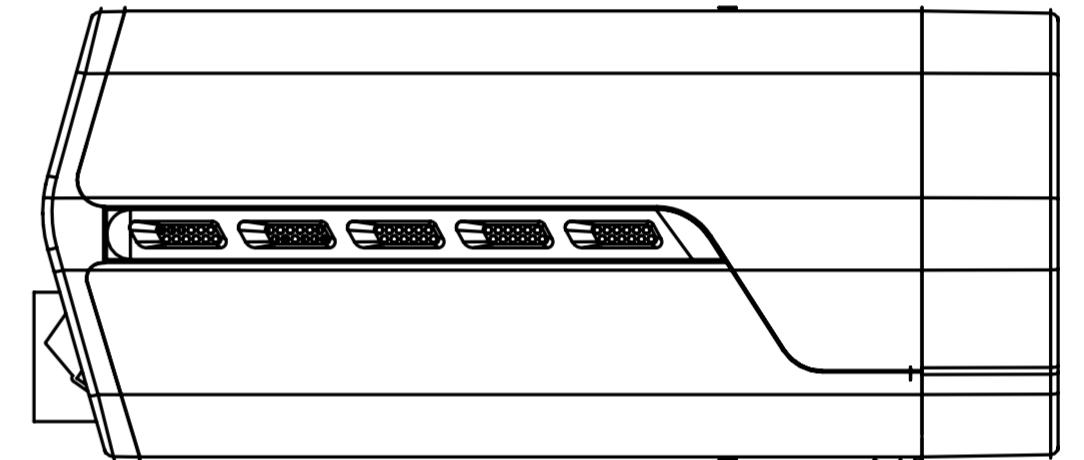
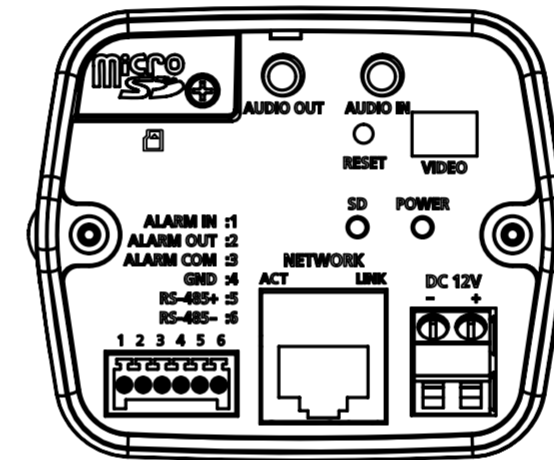
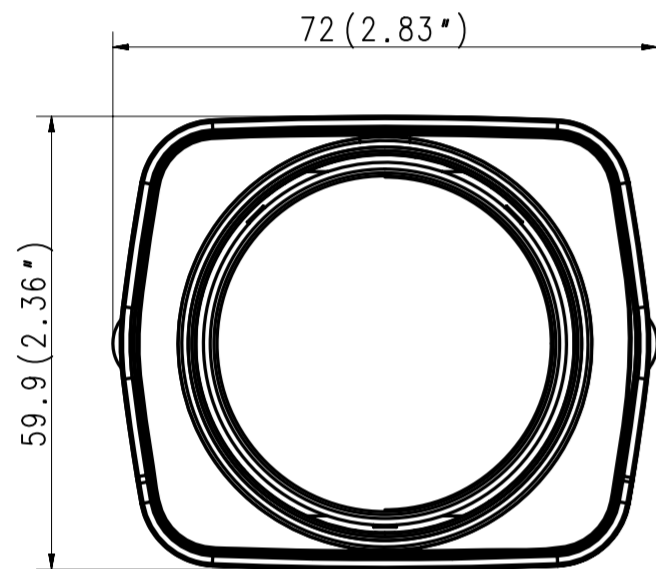
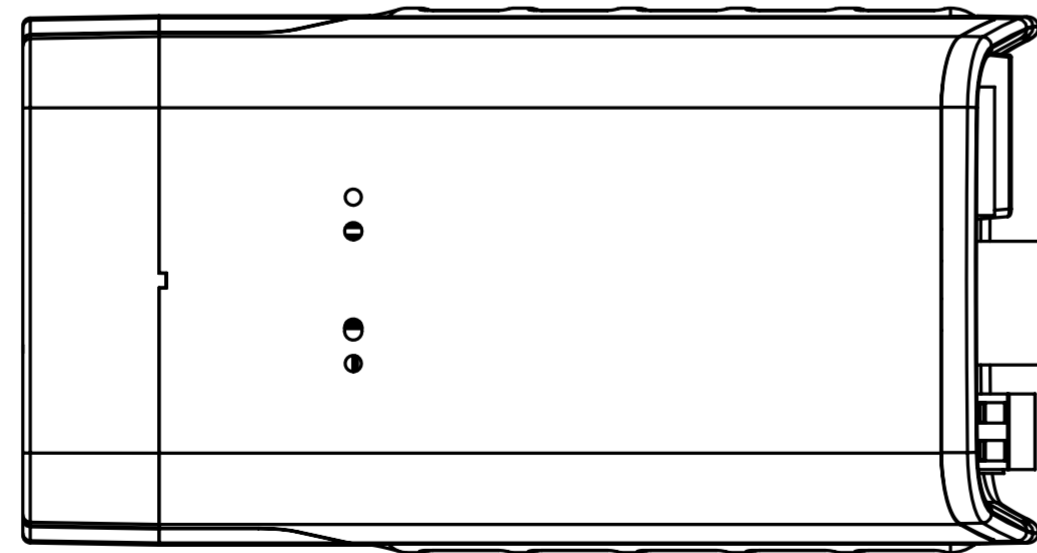
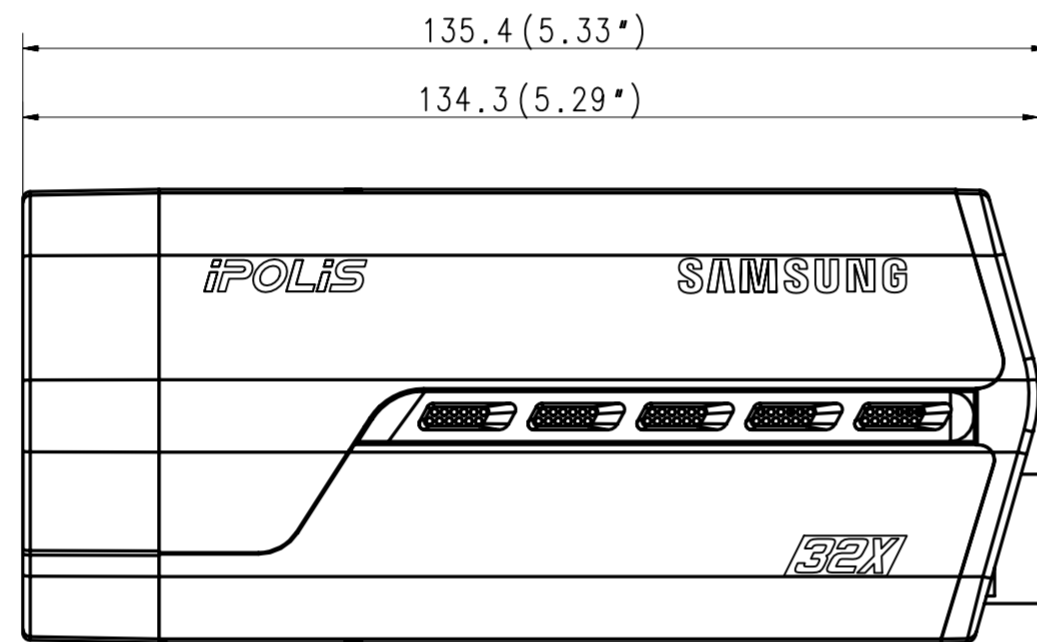
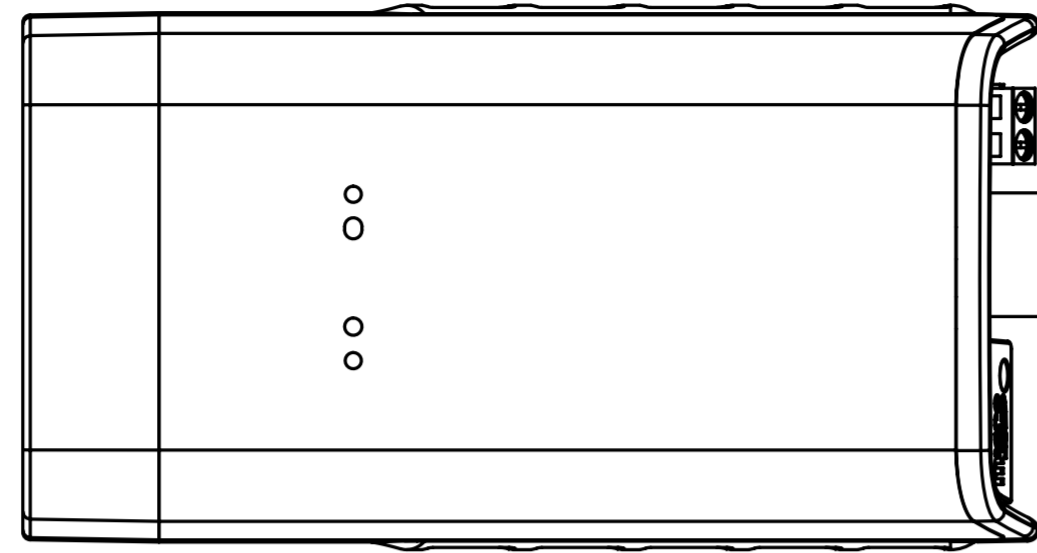


NO	PART NAME	CODE NO.	MATERIAL	Q'TY	REMARK
1	FINAL_ASSY_SNZ6320	014581	MATERIAL	1	REMARK



STANDARD TOLERANCE

DIV	lvl 1	lvl 2	lvl 3	lvl 4	lvl 5
0-16	±0.05	±0.1	±0.1	±0.2	±0.3
16-63	±0.05	±0.1	±0.2	±0.3	±0.4
63-250	±0.1	±0.2	±0.3	±0.4	±0.4
250-1000	±0.2	±0.3	±0.4	±0.5	±0.6

CHANGE

UNIT	mm	DESIGN	CHECK	APPROVAL	PART NAME	APPERANCE_SNZ-6320
	SCALE	1/1	작성자	검도자	승인자	MODEL NAME
			12.09.14	12.09.14	12.09.14	
SAMSUNG TECHWIN					CODE NO.	014581