

# QNO-6012R/6022R/6032R

2MP Network IR Bullet Camera

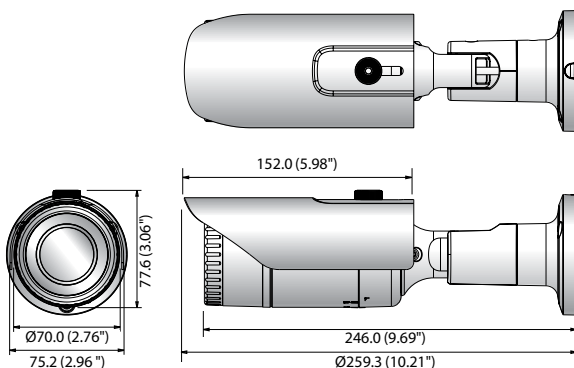


## Key Features

- Max. 2megapixel (1920 x 1080) resolution
- 0.1Lux (Color), 0Lux (B/W, IR LED on)
- 2.8mm/4mm/6mm fixed lens
- Max. 30fps@2M all resolutions (H.265/H.264)
- H.265, H.264, MJPEG codec supported, Multiple streaming
- Motion detection, Tampering, Defocus detection
- Hallway view (90°/270°), LDC support
- Micro SD/SDHC/SDXC memory slot (Max. 128GB)
- IR viewable length 20m/25m/30m
- IP66, IK10, PoE, 12VDC

## Dimensions

Unit : mm (inch)



## Accessories (Optional)



SBO-100B1



SBP-302PM

|                           | QNO-6012R  | QNO-6022R   | QNO-6032R   |
|---------------------------|--|---|---|
| <b>VIDEO</b>              |  |   |   |
| Imaging Device            | 1/2.8" 2MP CMOS  | 1/2.8" 2MP CMOS   | 1/2.8" 2MP CMOS   |
| Effective Pixels          | 1920(H) x 1080(V)  | 1920(H) x 1080(V)                                       | 1920(H) x 1080(V)                                       |
| Min. Illumination         | Color : 0.1Lux (F2.0, 1/30sec)<br>BW : 0Lux (IR LED on)  | Color : 0.1Lux (F1.6, 1/30sec)<br>BW : 0Lux (IR LED on) | Color : 0.1Lux (F2.0, 1/30sec)<br>BW : 0Lux (IR LED on) |
| Video Out                 | CVBS : 1.0 Vp-p / 75Ω composite, 720 x 480(N), 720 x 576(P) for installation   |   |   |
| <b>LENS</b>               |  |   |   |
| Focal Length (Zoom Ratio) | 2.8mm fixed focal  | 4mm fixed focal   | 6mm fixed focal   |
| Max. Aperture Ratio       | F2.0   | F1.6  | F2.0  |
| Angular Field of View     | H : 113.74<br>V : 61.5°<br>D : 134.45°   | H : 87.6<br>V : 46.4°<br>D : 104.5°                     | H : 52.8<br>V : 30.3°<br>D : 60.4°                      |
| Focus Control             | Fixed  | Fixed   | Fixed   |
| <b>OPERATIONAL</b>        |  |   |   |
| IR Viewable Length        | 20m (65.62ft)  | 25m (82.02ft)   | 30m (98.42ft)   |
| Camera Title              | Displayed up to 85 characters  |   |   |
| Day & Night               | Auto (ICR)   |   |   |
| Backlight Compensation    | BLC, WDR, SDR  |   |   |
| Wide Dynamic Range        | 120dB  |   |   |
| Digital Noise Reduction   | SSNR   |   |   |
| Motion Detection          | 4ea, polygonal zones   |   |   |
| Privacy Masking           | 6ea, rectangular zones   |   |   |
| Gain Control              | Support  |   |   |
| White Balance             | ATW / AWC / Manual / Indoor / Outdoor  |   |   |
| LDC                       | Support  |   |   |
| Electronic Shutter Speed  | Minimum / Maximum / Anti flicker (1/5~1/12,000sec)   |   |   |
| Video Rotation            | Flip, Mirror, Hallway view (90°/270°)  |   |   |
| Analytics                 | Defocus detection, Directional detection, Motion detection, Enter/Exit, Tampering, Virtual line                              |   |   |
| Alarm I/O                 | Input 1ea / Output 1ea   |   |   |
| Alarm Triggers            | Analytics, Network disconnect, Alarm input   |   |   |
| Alarm events              | File upload via FTP and e-mail<br>Notification via e-mail<br>SD/SDHC/SDXC or NAS recording at event triggers<br>Alarm output |   |   |
| Audio In                  | Selectable (mic in/line in)<br>Supply voltage : 2.5VDC (4mA), Input impedance : 2K Ohm                                       |   |   |
| <b>NETWORK</b>            |  |   |   |
| Ethernet                  | RJ-45 (10/100BASE-T)   |   |   |
| Video Compression         | H.265/H.264 : Main/High, MJPEG   |   |   |
| Resolution                | 1920 x 1080, 1280 x 960, 1280 x 720, 800 x 600, 800 x 448, 720 x 576, 720 x 480, 640 x 480, 640 x 360                        |   |   |
| Max. Framerate            | H.265/H.264 : Max. 30fps/25fps (60Hz/50Hz)<br>MJPEG : Max. 15fps/12fps (60Hz/50Hz)   |   |   |
| Smart Codec               | WiseStream II  |   |   |
| Video Quality Adjustment  | H.264/H.265 : Target bitrate level control<br>MJPEG : Quality Level control  |   |   |
| Bitrate Control           | H.264/H.265 : CBR or VBR<br>MJPEG : VBR  |   |   |
| Streaming                 | Unicast (6 users) / Multicast<br>Multiple streaming (Up to 3 profiles)   |   |   |
| Audio Compression         | G.711 u-law /G.726 Selectable<br>G.726 (ADPCM) 8KHz, G.711 8KHz<br>G.726 : 16Kbps, 24Kbps, 32Kbps, 40Kbps                    |   |   |

|  | QNO-6012R  | QNO-6022R | QNO-6032R |
|--|--|-----------|-----------|
| <b>Protocol</b>                          | IPv4, IPv6, TCP/IP, UDP/IP, RTP(UDP), RTP(TCP), RTCP, RTSP, NTP, HTTP, HTTPS, SSL/TLS, DHCP, FTP, SMTP, ICMP, IGMP, SNMPv1/v2c/v3(MIB-2), ARP, DNS, DDNS, QoS, UPnP, Bonjour, LLDP                                       |           |           |
| <b>Security</b>                          | HTTPS (SSL) login authentication, Digest login authentication, IP address filtering, User access log, 802.1X authentication (EAP-TLS, EAP-LEAP)  |           |           |
| <b>Edge Storage</b>                      | Micro SD/SDHC/SDXC 1slot 128GB   |           |           |
| <b>Application Programming Interface</b> | ONVIF Profile S/G/T<br>SUNAPI (HTTP API)<br>Wisenet open platform  |           |           |
| <b>Webpage Language</b>                  | English, Korean, Chinese, French, Italian, Spanish, German, Japanese, Russian, Swedish, Portuguese, Czech, Polish, Turkish, Dutch, Hungarian, Greek  |           |           |
| <b>Web Viewer</b>                        | Supported OS : Windows 7, 8.1, 10, Mac OS X 10.12, 10.13, 10.14<br>Recommended Browser : Google Chrome<br>Supported Browser : MS Explorer11, MS Edge, Mozilla Firefox (Windows 64bit only), Apple Safari (Mac OS X only) |           |           |
| <b>Memory</b>                            | 512MB RAM, 256MB Flash   |           |           |
| <b>ENVIRONMENTAL</b>                     |  |           |           |
| <b>Operating Temperature / Humidity</b>  | -30°C ~ +55°C (-22°F ~ +131°F) / Less than 90% RH<br>* Start up should be done at above -20°C  |           |           |
| <b>Storage Temperature / Humidity</b>    | -30°C ~ +60°C (-22°F ~ +140°F) / Less than 90% RH  |           |           |
| <b>Certification</b>                     | IP66, IK10   |           |           |
| <b>ELECTRICAL</b>                        |  |           |           |
| <b>Input Voltage</b>                     | PoE (IEEE802.3af, Class3), 12VDC   |           |           |
| <b>Power Consumption</b>                 | PoE : Max 7W, typical 5.2W<br>12VDC : Max 6.1W, typical 4.5W   |           |           |
| <b>MECHANICAL</b>                        |  |           |           |
| <b>Color / Material</b>                  | Dark grey / Aluminum   |           |           |
| <b>Product dimensions / weight</b>       | Ø70.0 x 246.0mm (Ø2.76 x 9.69"), 700g (1.543 lb)   |           |           |

\* The latest product information / specification can be found at [hanwha-security.com](http://hanwha-security.com)

\* Design and specifications are subject to change without notice.

\* Wisenet is the proprietary brand of **Hanwha Techwin**.