



- 16 ports 10/100 with 2 Port SFP and 2 Gigabit Uplink Combo Port PoE switch
- Fully IEEE802.3af/at standard compliant.
- The Max. PoE output for each port is up to 30W
- Supports PoE power up to 250 W for all PoE ports
- Safe and reliable power to most of PoE end devices

16 Port 10/100 with 2 Port SFP and 2 Port Gigabit Uplink Combo Ports PoE Switch

Overview

Cost-optimized, Configure-Free Fast Ethernet PoE+ Switch for CCTV and System Integrators

CNet CSH-1602GSP, an ideal fast ethernet PoE Switch, provides a cost-effective advantage to local area networks of SMBs. It is equipped with 16x10/100 BASE-T Fast Ethernet PoE ports and 2xGigabit Uplink and 2x1000BASE-X SFP interfaces with inner power system. The 16 Fast Ethernet ports are integrated with an 802.3at PoE+ injector function. It offers a rack-mountable, safe and reliable power solution for SMBs deploying Power over Ethernet networks.

IEEE 802.3at/af Compliant Power Source Switch

The PoE in-line power following the IEEE 802.3at/af standard makes the CSH-1602GSP able to deliver fast ethernet speed data and up to 30 watts of power per port to 16 PoE compliant powered devices (PDs) with a combined power output budget of up to 250watts. The CSH-1602GSP provides more flexibility in power requirement for all kinds of PDs with affordable installation costs.

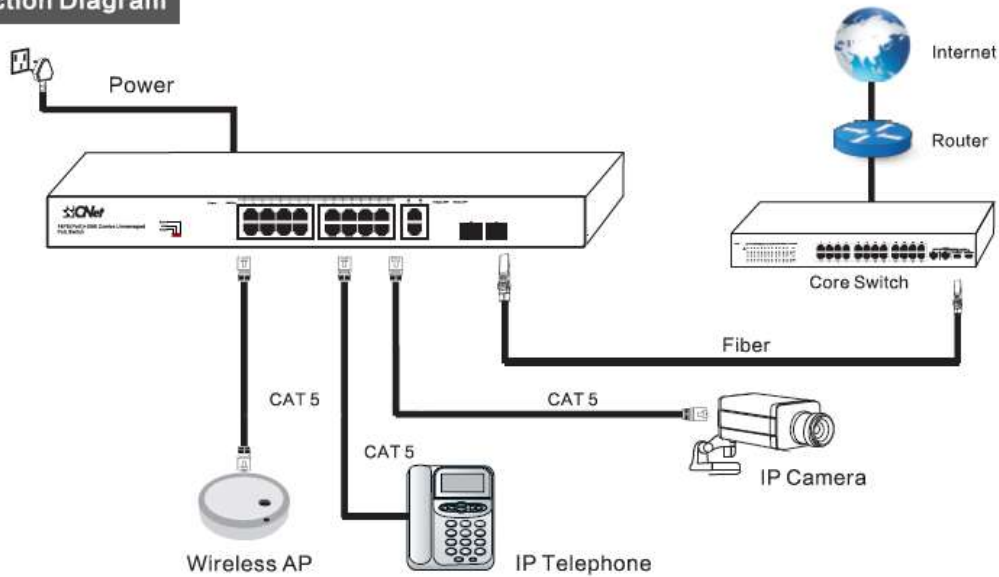
DIP Switch Mode

Switch : It can be used as normal switch features

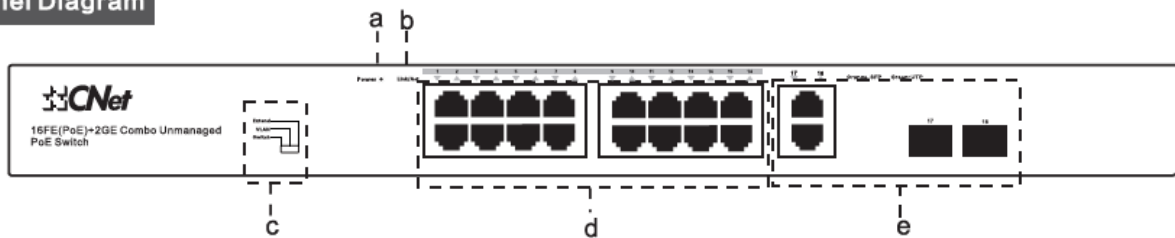
VLAN : It comes along with VLAN function and each PoE port can only communicate with Uplink

Extend : This switch designed for Video Surveillance and it support 200 meter PoE transmission

Introduction Diagram



Panel Diagram



- a. Power: Power Indicator
- b. Link/Act: Port Link/activity Indicator
- c. Mode: Switch、VLAN、Extend
- d. PoE Port -1~16 Port: 10/100M RJ45 Port(PoE Ports)
- e. Uplink Port-17~18 Port: 2GE+2SFP(Combo)

LED definition

Panel	Color	Status	Indication
PWR	Green	ON	Normal
		OFF	Abnormal
Link/Act	Green	ON	Connected with fast IP devices
		Blink	Transmitting data
		OFF	Abnormal
1000 Uplink	Green or Orange	ON(green)	Connected with gigabit RJ45 ports
		ON(orange)	Connected with gigabit SFP ports
		OFF	Abnormal

Specifications

Model	CGS-1602GSP	
Ports Description	POE Port	Port 1-16 : Fast Ethernet Auto-Negotiation RJ45
	Uplink Port	GE1-GE2 : Gigabit Auto-Negotiation RJ45
		SFP1 - SFP2 : Gigabit SFP Ports Combo
POE Power	MAX Poe Output	30W
	Total Power Consumption	250W
	Poe Port Priority	Support
LED Indicators	PWR、 PoE MAX、 PoE Indicator、 Link/Act	
Processing Types	Store And Forward	
Transmission Model	IEEE802.3X Full-Duplex And Backpressure Half-Duplex	
Performance	Backplane Bandwidth	7.2Gbps
	Packet Forwarding Rate	5.35Mpps
	MAC Address	8K
Network Standard	IEEE802.3i 10 BASE-T IEEE802.3u 100 BASE-TX IEEE802.3ab 1000 BASE-TX IEEE802.3z 1000 BASE-LX IEEE802.3x Flow Control IEEE802.3af Power Over Ethernet IEEE802.3at Power Over Ethernet IEEE802.3az EEE	
Input Voltage	AC 100~240V 50/60Hz	
Dimension	440mm(L) * 220mm(W) *44mm(H)	
Cable Requirements	UTP Cat5 or Above	
Environment	<i>Operating Temperature : -10°C~45°C</i>	
	<i>Storage Temperature : -20°C~70°C</i>	
	<i>Operating Humidity : 10%~90%</i>	
	<i>Storage Humidity : 5%~95%</i>	